

**Q1.** Compare the advantages and disadvantages of optic fibre and copper wire for transmitting information.

.....  
.....  
.....  
.....  
.....  
.....  
.....  
.....  
.....  
.....

**(Total 6 marks)**

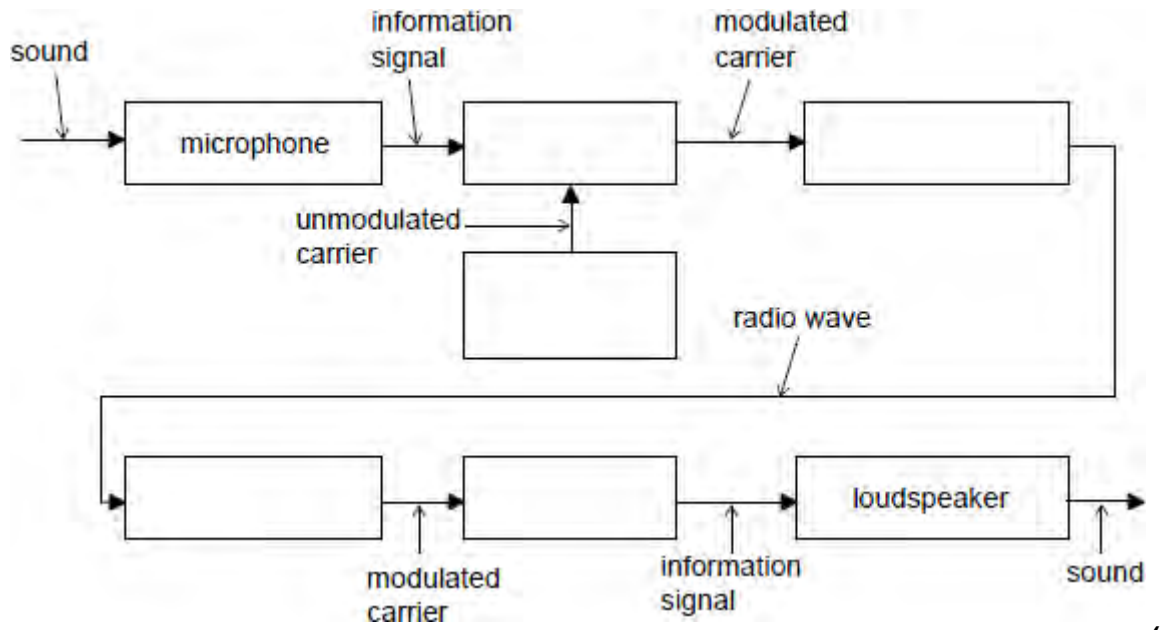
**Q2.(a)** Name **three** different types of medium that a modulated carrier signal could travel through.

1 .....  
2 .....  
3 .....

**(3)**

(b) A block diagram of a radio communication system is shown below. The signals between subsystems are shown.

Label the blank boxes.



(5)  
(Total 8 marks)